

# Inductive Sensors



Housing Style	Part Number	ID Number	Features	Sensing Range (mm)	Output
<b>30 mm - Embeddable, eurofast® Connection</b> 	Bi 15U-EM30-AN6X-H1141	M1636737	Uprox+, Stainless steel	15	3-Wire DC NPN
	Bi 15U-EM30WD-AN6X-H1141	M1634834	Uprox+, Washdown	15	
	Bi 15U-M30-AN6X-H1141	M1636736	Uprox+	15	
	Bi 15U-MT30-AN6X-H1141	M1636738	Uprox+, Teflon	15	
	Bi 15U-EM30-AP6X-H1141	M1636733	Uprox+, Stainless steel	15	3-Wire DC PNP
	Bi 15U-EM30WD-AP6X-H1141	M1634820	Uprox+, Washdown	15	
	Bi 15U-M30-AP6X-H1141	M1636732	Uprox+	15	
	Bi 15U-MT30-AP6X-H1141	M1636734	Uprox+, Teflon	15	
	Bi 15U-MT30-AP6X2-H1141	M1644741	Uprox+, Dual LED's	15	
	<b>30 mm - Nonembeddable, eurofast Connection</b> 	Ni 30U-EM30-AN6X-H1141	M1644636	Uprox+, Stainless steel	30
Ni 30U-EM30WD-AN6X-H1141		M1634832	Uprox+, Washdown	30	
Ni 30U-M30-AN6X-H1141		M1644635	Uprox+	30	
Ni 30U-MT30-AN6X-H1141		M1644637	Uprox+, Teflon	30	
Ni 30U-EM30-AP6X-H1141		M1646632	Uprox+, Stainless steel	30	3-Wire DC PNP
Ni 30U-EM30WD-AP6X-H1141		M1634822	Uprox+, Washdown	30	
Ni 30U-M30-AP6X-H1141		M1646631	Uprox+	30	
Ni 30U-MT30-AP6X-H1141		M1646633	Uprox+, Teflon	30	
Ni 30U-MT30-AP6X2-H1141		M1646635	Uprox+, Dual LED's	30	
<b>30 mm - Embeddable, Potted-in Cable</b> 		Bi 15U-EM30WD-AN6X	M1634843	Uprox+, Washdown	15
	Bi 15U-M30-AN6X	M1636735	Uprox+	15	
	Bi 15U-EM30WD-AP6X	M1634819	Uprox+, Washdown	15	3-Wire DC PNP
	Bi 15U-EM30-AP6X	M1636741	Uprox+	15	
	Bi 15U-M30-AP6X	M1636731	Uprox+	15	
	<b>30 mm - Nonembeddable, Potted-in Cable</b> 	Ni 30U-EM30WD-AN6X	M1634833	Uprox+, Washdown	30
Ni 30U-M30-AN6X		M1644634	Uprox+	30	
Ni 30U-EM30WD-AP6X		M1634821	Uprox+, Washdown	30	3-Wire DC PNP
Ni 30U-M30-AP6X		M1646630	Uprox+	30	

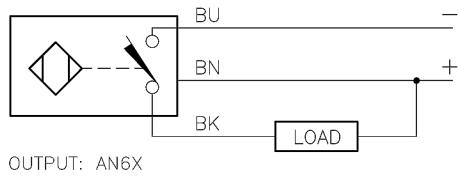


Voltage	Switching Freq. (Hz)	Operating Current (mA)	Operating Temp. (°C)	Protection	Housing	Face	Power LED	Output LED	Mating Cordset	Wiring Diagram #	Wiring Diagrams
10-30 VDC	750	≤200	-25 to +75	IP 68	SS	LCP	N/A	YE	RK 4T-*	1	<p><b>Diagram 1</b></p>
	750	≤200	0 to +85	IP 68, 69K	SS	LCP	N/A	YE	RK 4T-*	1	
	750	≤200	-25 to +75	IP 68	CPB	LCP	N/A	YE	RK 4T-*	1	
	750	≤200	-25 to +75	IP 68	TC	LCP	N/A	YE	RK 4T-*	1	
10-30 VDC	750	≤200	-25 to +75	IP 68	SS	LCP	N/A	YE	RK 4T-*	2	<p><b>Diagram 2</b></p>
	750	≤200	0 to +85	IP 68, 69K	SS	LCP	N/A	YE	RK 4T-*	2	
	750	≤200	-25 to +75	IP 68	CPB	LCP	N/A	YE	RK 4T-*	2	
	750	≤200	-25 to +75	IP 68	TC	LCP	N/A	YE	RK 4T-*	2	
	750	≤200	-25 to +75	IP 68	TC	LCP	GN	YE	RK 4T-*	2	
10-30 VDC	500	≤200	-25 to +75	IP 68	SS	LCP	N/A	YE	RK 4T-*	1	<p><b>Diagram 3</b></p>
	500	≤200	0 to +85	IP 68, 69K	SS	LCP	N/A	YE	RK 4T-*	1	
	500	≤200	-25 to +75	IP 68	CPB	LCP	N/A	YE	RK 4T-*	1	
	500	≤200	-25 to +75	IP 68	TC	LCP	N/A	YE	RK 4T-*	1	
10-30 VDC	500	≤200	-25 to +75	IP 68	SS	LCP	N/A	YE	RK 4T-*	2	<p><b>Diagram 4</b></p>
	500	≤200	0 to +85	IP 68, 69K	SS	LCP	N/A	YE	RK 4T-*	2	
	500	≤200	-25 to +75	IP 68	CPB	LCP	N/A	YE	RK 4T-*	2	
	500	≤200	-25 to +75	IP 68	TC	LCP	N/A	YE	RK 4T-*	2	
	500	≤200	-25 to +75	IP 68	TC	LCP	GN	YE	RK 4T-*	2	
10-30 VDC	750	≤200	0 to +85	IP 68, 69K	SS	LCP	N/A	YE	2M/PUR	3	
	750	≤200	-25 to +75	IP 68	CPB	LCP	N/A	YE	2M/PVC	3	
10-30 VDC	750	≤200	0 to +85	IP 68, 69K	SS	LCP	N/A	YE	2M/PUR	4	
	750	≤200	-25 to +75	IP 68	SS	LCP	N/A	YE	2M/PUR	4	
	750	≤200	-25 to +75	IP 68	CPB	LCP	N/A	YE	2M/PVC	4	
10-30 VDC	500	≤200	0 to +85	IP 68, 69K	SS	LCP	N/A	YE	2M/PUR	3	
	500	≤200	-25 to +75	IP 68	CPB	LCP	N/A	YE	2M/PVC	3	
10-30 VDC	500	≤200	0 to +85	IP 68, 69K	SS	LCP	N/A	YE	2M/PUR	4	
	500	≤200	-25 to +75	IP 68	CPB	LCP	N/A	YE	2M/PVC	4	

Uprox+

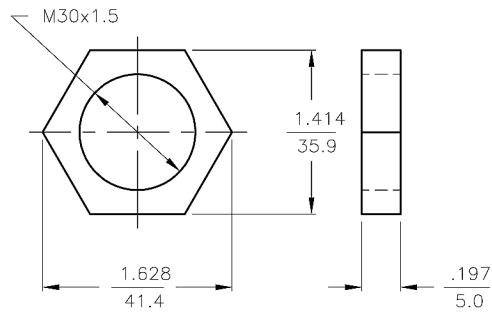
\* Length in meters.

WIRING DIAGRAMS



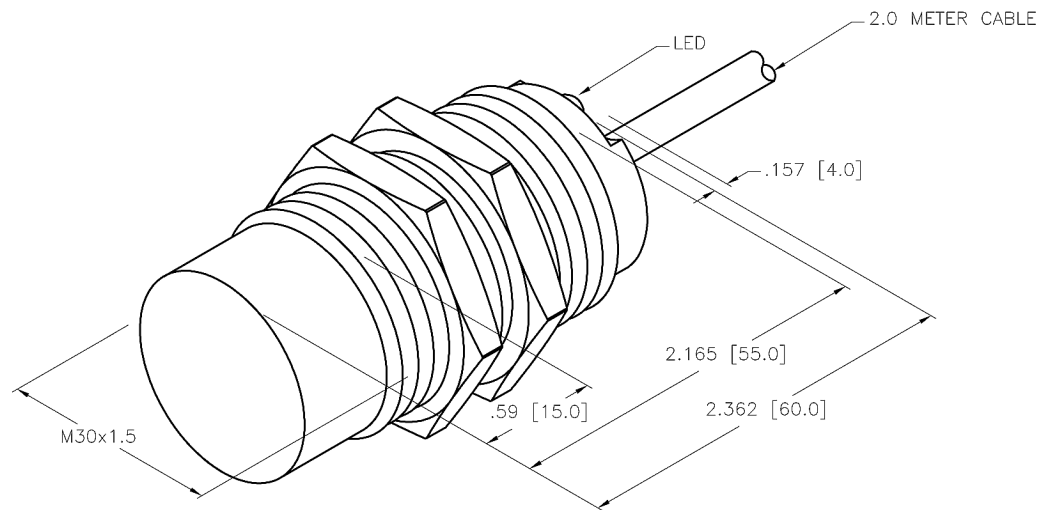
SHORT-CIRCUIT AND OVERLOAD PROTECTED

LOCKNUT LN-M30



SPECIFICATIONS

RATED OPERATING DISTANCE	30mm = 1.181"
MOUNTING MODE	NON-FLUSH
MIN. REPEAT ACCURACY	≤ 2%
TEMPERATURE DRIFT	≤ ±10% ≤ ±15%, ≤ -25°C v ≥ +70°C
HYSTERESIS	3-15%
OPERATING TEMPERATURE	-30°C to +85°C (-22°F to +185°F)
RATED OPERATIONAL VOLTAGE	10-30 VDC
RESIDUAL RIPPLE	≤ 10%
DC RATED OPERATIONAL CURRENT	≤ 200 mA
NO-LOAD CURRENT	≤ 15 mA
RESIDUAL CURRENT	≤ 0.1 mA
RATED INSULATION VOLTAGE	≤ 0.5 kV
SHORT-CIRCUIT PROTECTION	YES
MAX. VOLTAGE DROP	≤ 1.8 V
WIRE BREAKAGE PROTECTION	INCORPORATED
REVERSE POLARITY PROTECTION	INCORPORATED
OUTPUT FUNCTION	3-WIRE, NORMALLY OPEN, NPN
MAX. SWITCHING FREQUENCY	≤ 0.5 kHz
HOUSING MATERIAL	METAL, BRASS/CHROME-PLATED
ACTIVE FACE MATERIAL	PLASTIC, LCP-GF30
END CAP MATERIAL	PLASTIC, EPTR
CABLE	ø5.2, LifYY, PVC
VIBRATION RESISTANCE	55 Hz, 1 mm AMPLITUDE (IN ALL 3 PLANES)
SHOCK RESISTANCE	30 g, 11 ms
DEGREE OF PROTECTION	IP68
SWITCHING STATUS INDICATION	LED, YELLOW



SOURCE DRAWING - FOR REFERENCE ONLY

NOTES:

1. UPROX HAS WELD FIELD IMMUNITY, SENSOR IS SUITABLE FOR USE ON RESISTANCE MACHINES.

RELATED DOCUMENTS 1. 2. 3. 4.	3RD ANGLE PROJECTION 	THIS DRAWING IS PROPERTY OF TURCK INC. USE OF THIS DOCUMENT WITHOUT WRITTEN PERMISSION IS PROHIBITED.		 High Technology Sensors and Automation Controls	
	MATERIAL	TOLERANCES UNLESS OTHERWISE SPECIFIED .X ±0.02 .XX ±0.01 .XXX ±0.005 ANGLES ±1° ALL MILLIMETER DIMENSIONS ARE REFERENCE ONLY	DRFT RDS DSGN AF		
FINISH		UNIT OF MEASUREMENT <b>INCH   MILLIMETER  </b>		IDENTIFICATION NO. M1644634	REV A
A DRAWING RELEASE	RDS 09/14/07	DO NOT SCALE THIS DRAWING		FILE: M1644634	SHEET 1 OF 1
REV DESCRIPTION	BY DATE ECO NO.				